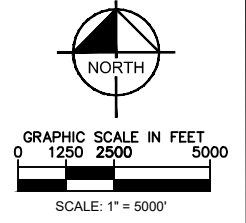
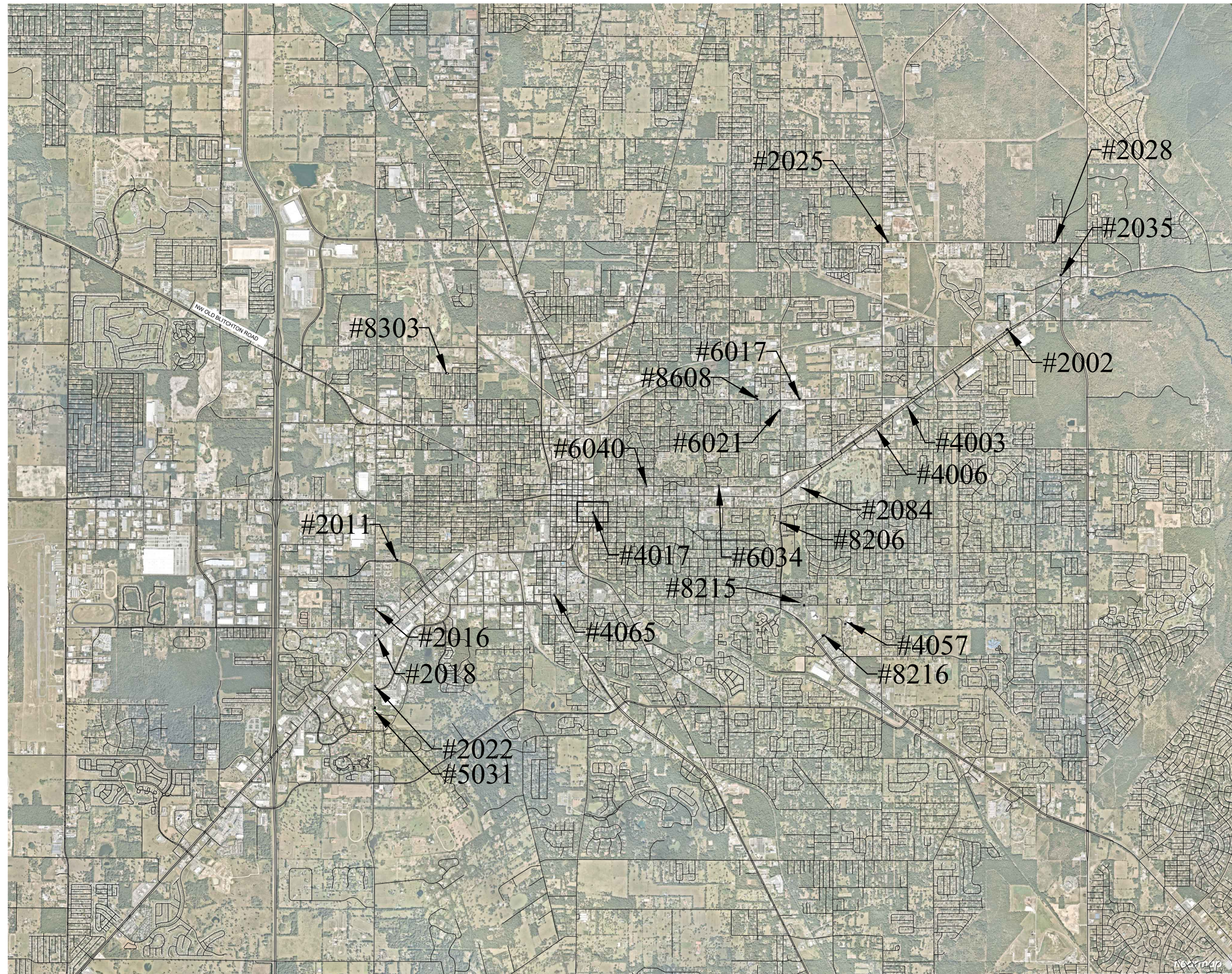


142371035.dwg - This drawing is the property of Kimley-Horn and Associates, Inc. and is not to be reproduced, stored in a retrieval system, or transmitted in any form or by any means, electronic, mechanical, photocopying, recording, or by any information storage and retrieval system, without the prior written permission of Kimley-Horn and Associates, Inc.

This document, together with the concepts and designs presented herein, is intended only for the specific purpose and client for which it was prepared. Reuse of and improper reliance on this document without written authorization and adaptation by Kimley-Horn and Associates, Inc. shall be without liability to Kimley-Horn and Associates, Inc.



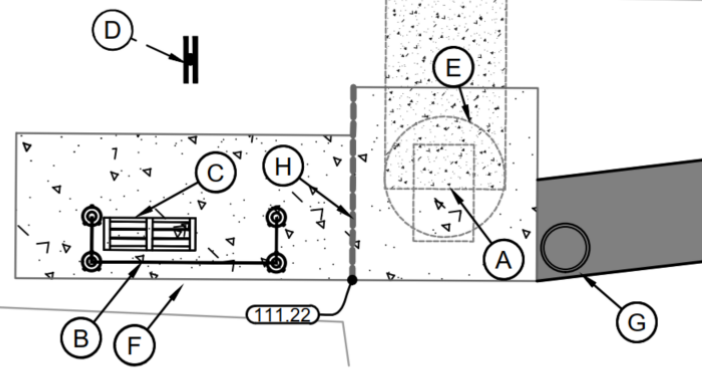
CALL 2 BUSINESS DAYS BEFORE YOU DIG
 IT'S THE LAW! DIAL 811

 Know what's below.
 Call before you dig.
 SUNSHINE STATE ONE CALL OF FLORIDA, INC.

BUS STOP DESIGN SERVICES PREPARED FOR CITY OF OCALA <small>FLORIDA</small>	MASTER SITE PLAN	SHEET NUMBER C003
KHA PROJECT: 142371035 DATE: DECEMBER, 2022 SCALE: AS SHOWN DESIGNED BY: KHA DRAWN BY: KHA CHECKED BY: MNI DATE:	LICENSED PROFESSIONAL MOHAMMED N. MURAD FLORIDA LICENSE NUMBER: 91243	© 2022 KIMLEY-HORN AND ASSOCIATES, INC. 1700 SE 17TH STREET, SUITE 200, OCALA, FLORIDA 34471 WWW.KIMLEY-HORN.COM PHONE: 352-438-3000 REGISTRY NO. 35108
NOT FOR CONSTRUCTION		
No.	REVISIONS	DATE

This document, together with the concepts and designs presented herein, is intended only for the specific purpose and client for which it was prepared. Reuse of and improper reliance on this document without written authorization and adaptation by Kimley-Horn and Associates, Inc. shall be without liability to Kimley-Horn and Associates, Inc.

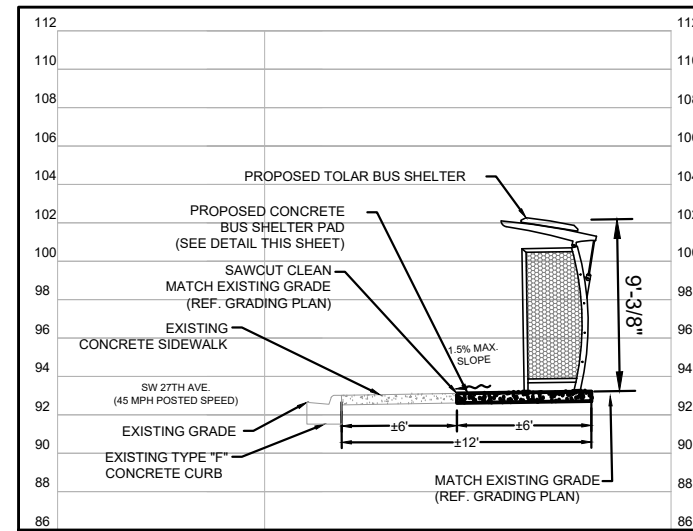
SE WATULA AVE.



SHELTER DETAIL (TYP.)
SCALE: N.T.S.

NOTES:

- (A) MINIMUM 30"X48" CLEAR ZONE FOR WHEELCHAIR RESTING AREA DIRECTLY AT END OF BENCH
- (B) BUS SHELTER (PROVIDED BY OWNER)
- (C) 44" BENCH INSTALLED 6" FROM GLASS (PROVIDED BY OWNER)
- (D) VISUAL BUS STOP SIGN SHALL BE MOUNTED 84" ABOVE FINISHED GRADE (PROVIDED BY OWNER).
- (E) 5' WHEELCHAIR TURN-AROUND
- (F) MINIMUM 5'X8' CLEAR ZONE FOR WHEELCHAIR LIFT/RAMP DEPLOYMENT
- (G) 22" DIA. X 28" HT. 30 GAL TRASH CAN.
- (H) TYPE D JOINT PER FDOT INDEX #310 DIVIDING BUS SHELTER PAD IN EQUAL HALVES.



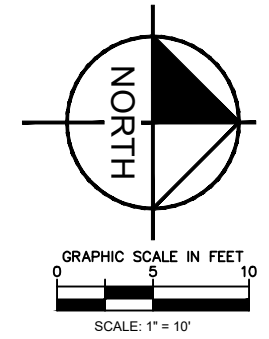
SECTION A-A
SCALE: N.T.S.

PAVEMENT LEGEND

- BUS SHELTER PAD (SEE DETAIL SHEET C005)
- BUS LANDING/LOADING PAD (SEE DETAIL SHEET C005)
- EXISTING SIDEWALK
- PROPOSED SIDEWALK (PER FDOT INDEX 522-001)
- SAWCUT, CLEAN AND MATCH EXISTING
- PROPOSED SPOT ELEVATION

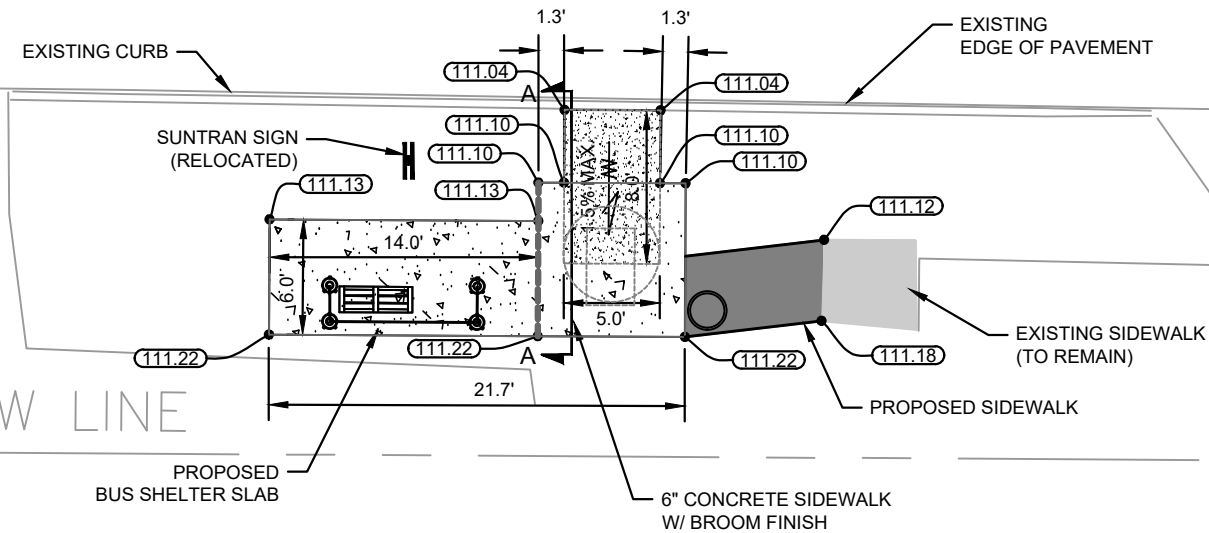
NOTES:

- ALL WORK AND MATERIALS SHALL COMPLY WITH ALL CITY REGULATIONS AND CODES AND O.S.H.A. STANDARDS.
- PRIOR TO CONSTRUCTION WITHIN ANY EXISTING PUBLIC RIGHT-OF-WAY, THE CONTRACTOR SHALL OBTAIN ALL NECESSARY PERMITS FROM THE AUTHORITY HAVING JURISDICTION.
- CONTRACTOR SHALL REFER TO THE ARCHITECTURAL PLANS FOR EXACT LOCATIONS AND DIMENSIONS OF SLOPE PAVING, AND PRECISE BUILDING DIMENSIONS.
- SITE BOUNDARY, TOPOGRAPHY, UTILITY AND ROAD INFORMATION PER SURVEY BY ECHEZABAL & ASSOCIATES, INC., DATED .
- MAXIMUM RUNNING SLOPE ON SIDEWALKS SHALL NOT EXCEED 5% (1:20).
- MAXIMUM CROSS SLOPE ON SIDEWALKS SHALL NOT EXCEED 2% (1:48).
- MAXIMUM RUNNING SLOPE ON RAMPS SHALL NOT EXCEED 8.33% (1:12), FOR A MAXIMUM LENGTH OF 30'.
- MAXIMUM SLOPE ON SHELTER CONCRETE SLAB IN ANY DIRECTION SHALL NOT EXCEED 2.0%.



SE WATULA AVE.

EXISTING R/W LINE



BUS STOP PLAN
#4017

NO.	REVISIONS	DATE	BY
1	NOT FOR CONSTRUCTION		

Kimley-Horn
 © 2022 KIMLEY-HORN AND ASSOCIATES, INC.
 1700 SE 17TH STREET, SUITE 200, OCALA, FLORIDA 34471
 PHONE: 352-438-3000
 WWW.KIMLEY-HORN.COM REGISTRY NO. 35108

KHA PROJECT 142371035	LICENSED PROFESSIONAL
DATE DECEMBER 2022	MOHAMMED N. MURAD
SCALE AS SHOWN	FLORIDA LICENSE NUMBER 91243
DESIGNED BY KHA	CHECKED BY MINI
DRAWN BY KHA	DATE

#4017
SITE PLAN

BUS STOP DESIGN SERVICES
 PREPARED FOR
CITY OF OCALA
 FLORIDA

CALL 2 BUSINESS DAYS BEFORE YOU DIG
 IT'S THE LAW!
 DIAL 811

 Know what's below. Call before you dig.
 SUNSHINE STATE ONE CALL OF FLORIDA, INC.

SHEET NUMBER
C004

